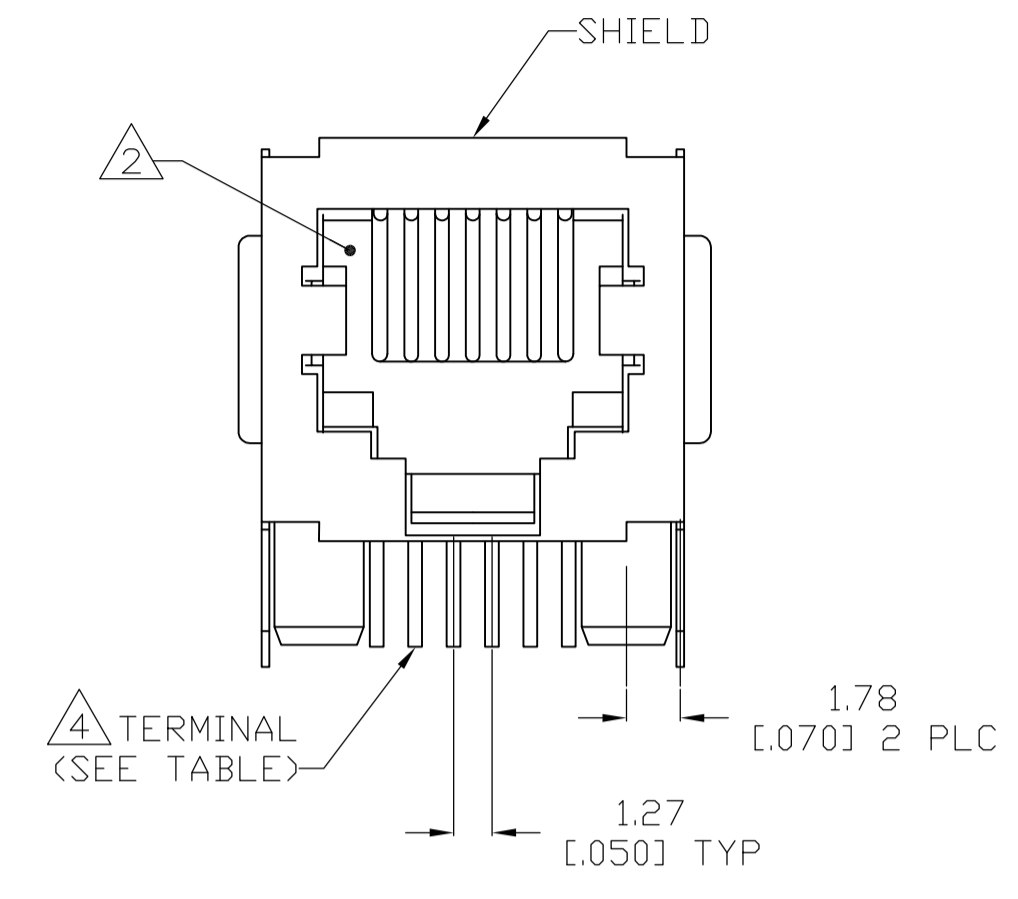
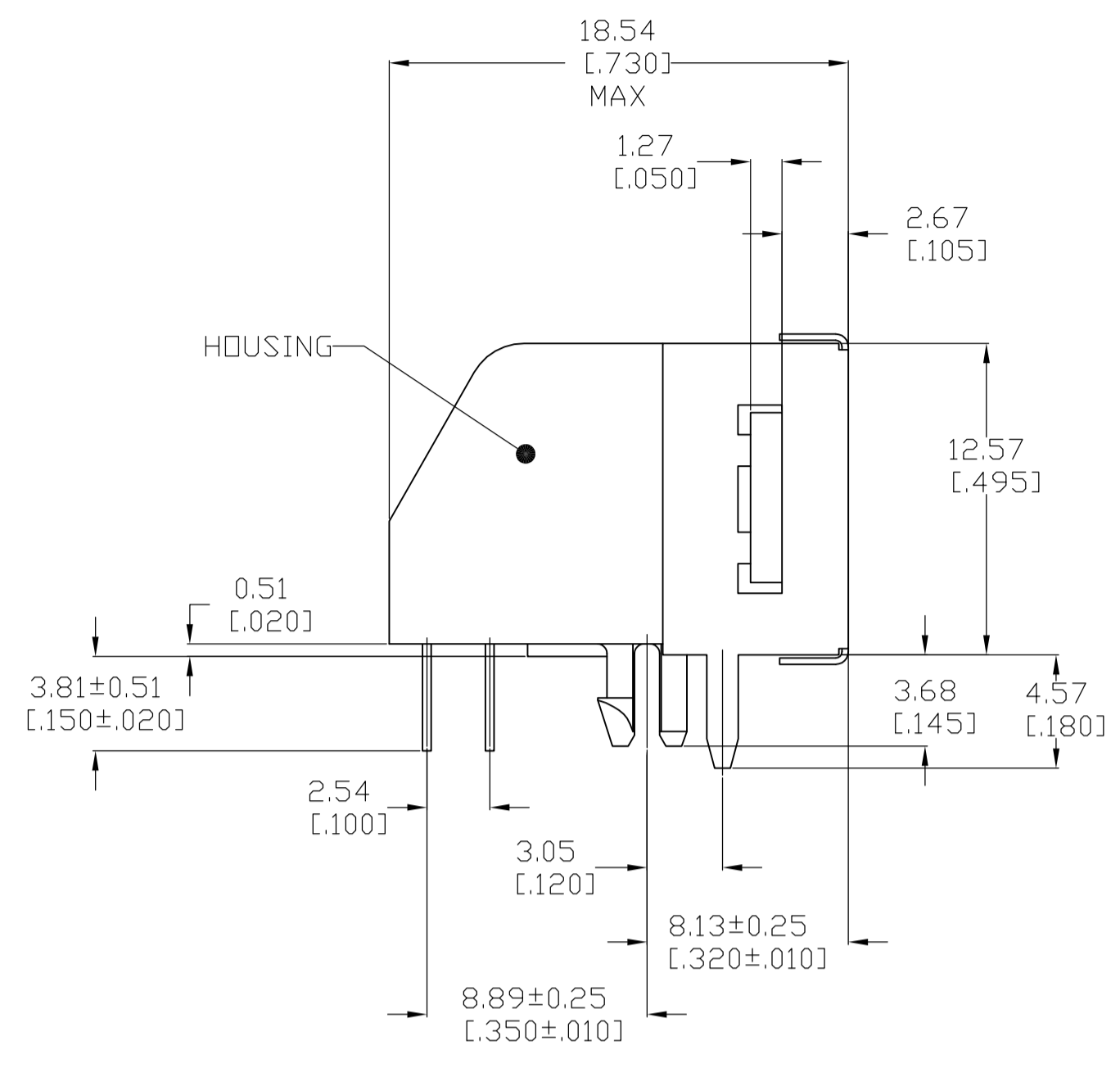
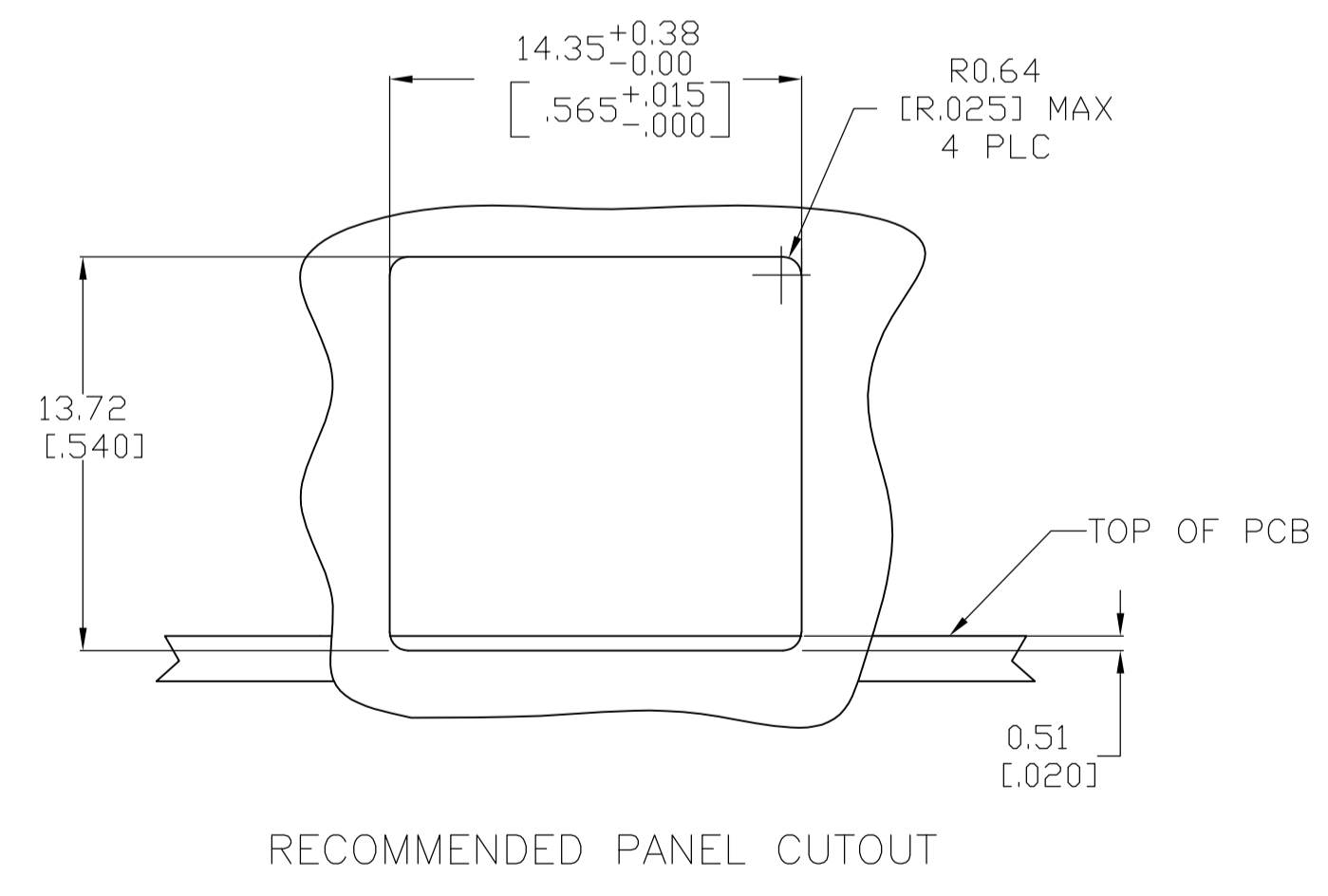
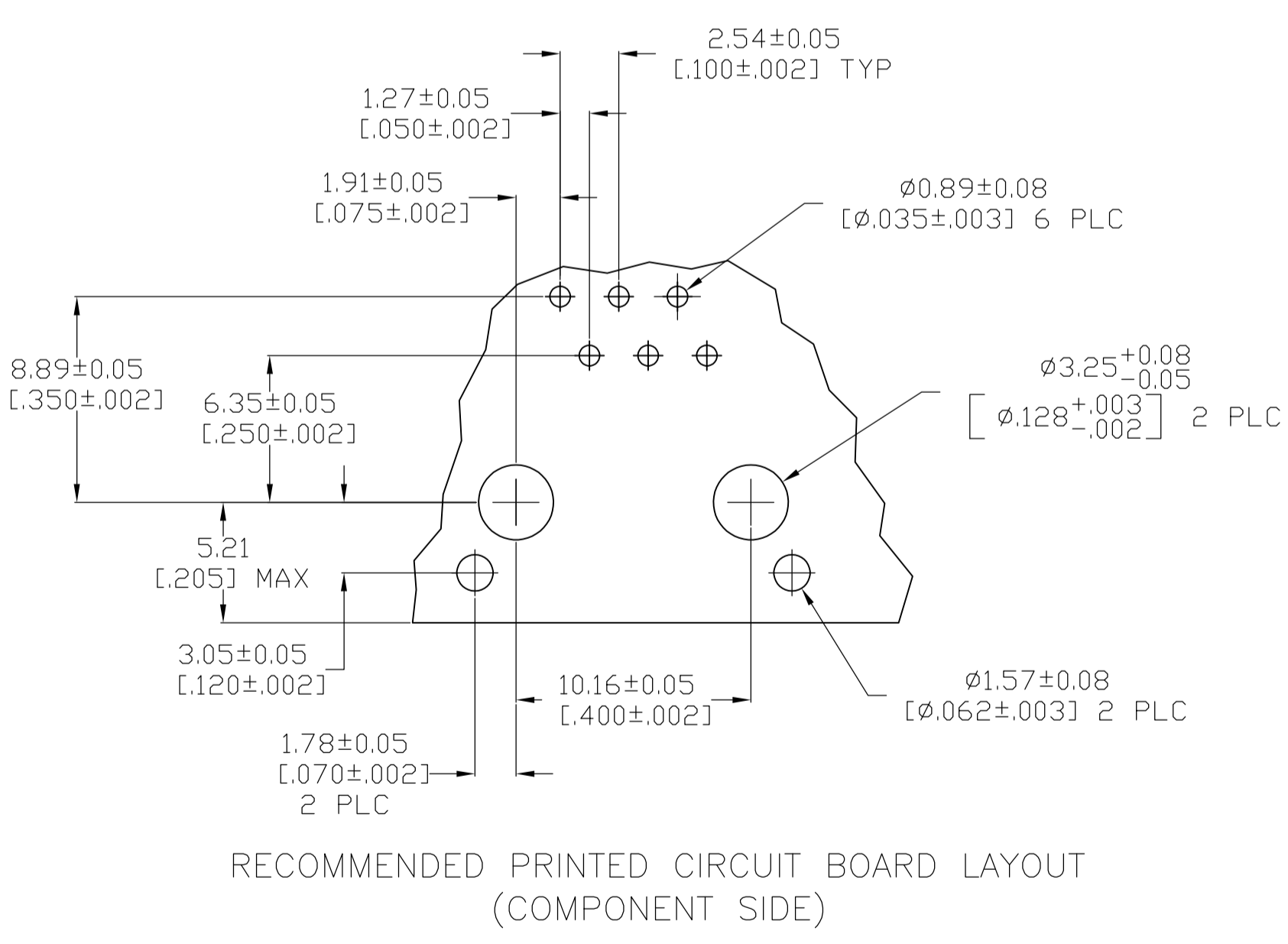
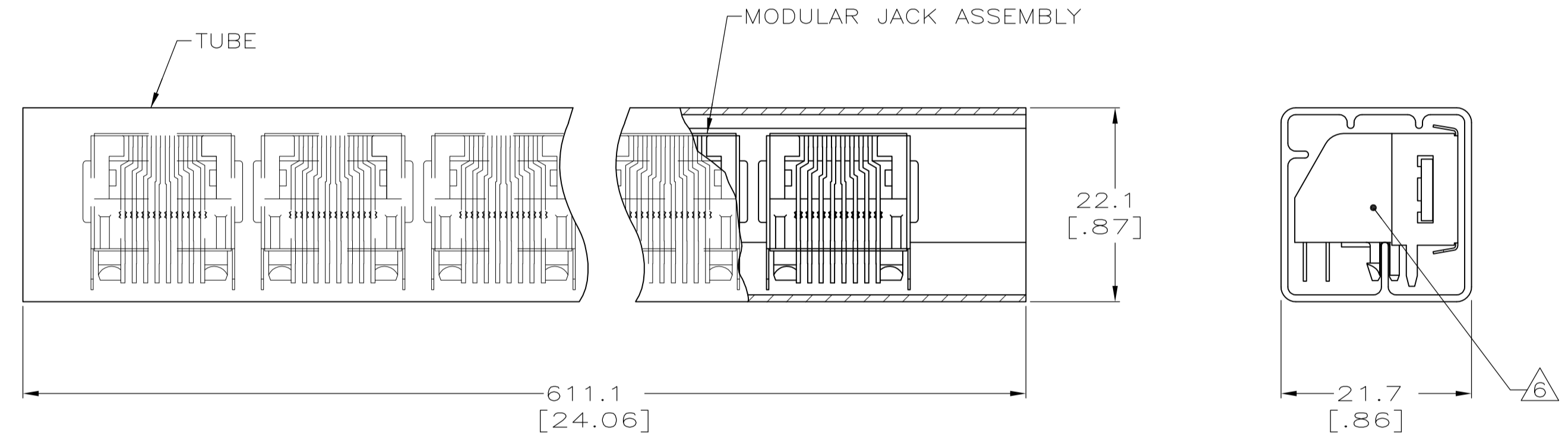
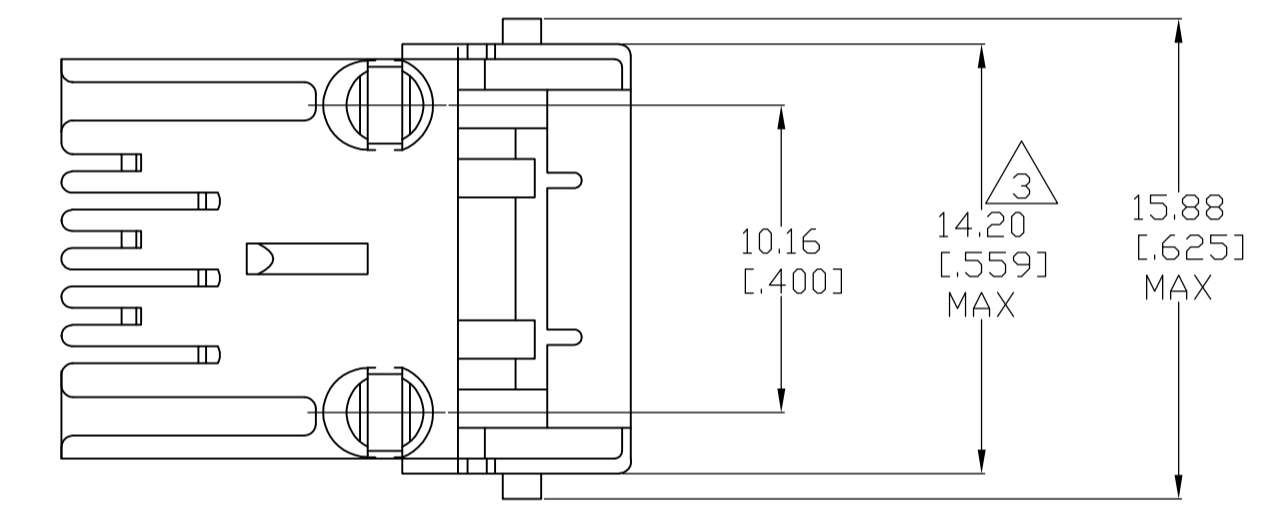


LOC		DIST		REVISIONS			
AA	00	REV	DATE	BY	CHK	APPV	
B1	REVISED PER ECO-11-005033		23MAR11	RK	HMR		



- MATERIAL: HOUSING—PBT POLYESTER, COLOR: BLACK
 TERMINAL— 0.36[.014] THICK PHOS-BRONZE PLATED WITH 1.27μm[.000050] MINIMUM THICK HARD GOLD IN LOCALIZED GOLD PLATE AREA AND 3.81μm[.000150] MINIMUM THICK MATTE TIN IN SOLDER AREA OVER 1.27μm[.000050] MINIMUM THICK NICKEL UNDERPLATE
 SHIELD—0.25[.010] THICK COPPER ALLOY
 PLATED WITH 3.0μm[.000120] MINIMUM REFLOWED TIN
- △ CAVITY CONFORMS TO FCC RULES AND REGULATIONS PART 68, SUBPART F.
 - △ DIMENSION MEASURED ALONG FRONT EDGE OF MATING FACE
 - △ TERMINALS FOR 5555154-2 LOCATED IN CENTER POSITIONS.
 - △ BULK PACKAGED IN TRAYS.
 - △ PACKAGED 36 ASSEMBLIES PER TUBE. SEE DETAIL "A".



PACKAGE	TERMINALS REQUIRED	PART NUMBER
6	4	5555154-4
4	4	5555154-2
6	6	5555154-1

THIS DRAWING IS A CONTROLLED DOCUMENT.

DIMENSIONS: mm [INCHES]	TOLERANCES UNLESS OTHERWISE SPECIFIED:	DIN G. ATTADIA - 08/JUN/2005	CHK J. WESTMAN - 08/JUN/2005	APVD S. FLICKINGER - 08/JUN/2005	NAME: MODULAR JACK ASSEMBLY, SHIELDED, 6 POSITION, LOW PROFILE, RIGHT ANGLE, PRINTED CIRCUIT BOARD GROUND WITH PANEL STOPS
0 PLC ± -	1 PLC ± -	2 PLC ± 0.13[0.005]	3 PLC ± -	4 PLC ± -	PRODUCT SPEC 108-1163
ANGLES ± -					APPLICATION SPEC 114-2048
MATERIAL: SEE NOTE 1	FINISH: SEE NOTE 1	WEIGHT: -	SIZE: A1	CAGE CODE: 00779	DRAWING NO: 5555154
CUSTOMER DRAWING		SCALE: 4:1	SHEET: 1 of 1	REV: B1	RESTRICTED TO: -

STE TE Connectivity